


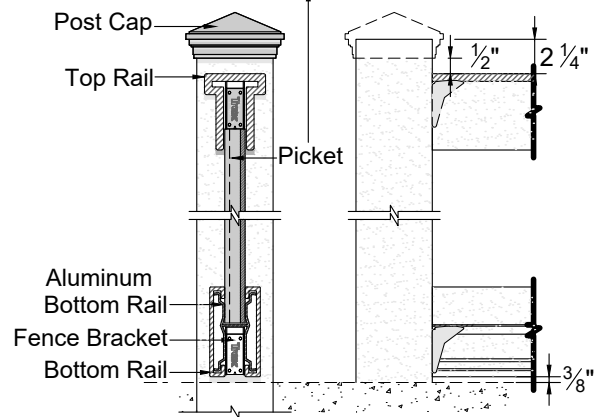
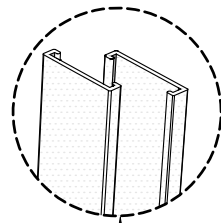


COMPONENT		QTY.	LENGTH
Post Cap	  	1	N/A
Post		1	144"
Galv. Steel Post		1	120"
Top Rail		1	91"
Picket (Cut to 33 1/2")		9.5	67"
Bottom Rail / Picket (Cut to 45 1/2")		19	91"
Bottom Rail / Picket		6	91"
Aluminum Bottom Rail		3	90 1/2"
Fence Bracket		8	N/A
Ext. Wood Screw	#7	24	1 5/8"
	#8	16	3/4"
	#7	6	1"
Self-Drilling Screw	#14	2	1 1/2"

Component lengths may vary



CUT VIEWS

- NOTES:**
1. INSTALLATION TO BE COMPLETED PER MANUFACTURER'S SPECIFICATION.
 2. REFER TO TrexFencingFDS.com FOR CONSTRUCTION DETAILS AND PRODUCT INFORMATION
 3. DRAWING NOT TO SCALE.

010923