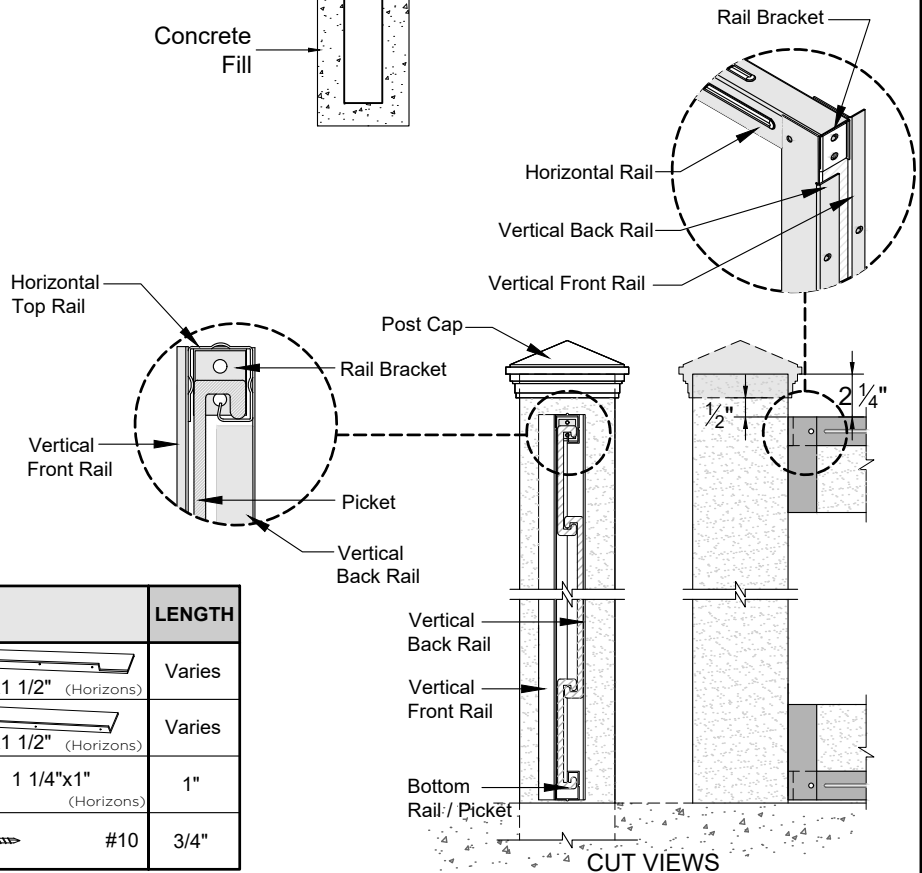


**NOTES:**

1. ALL HORIZONS COMPONENTS ARE MATTE BLACK POWDER COATED GALVANIZED STEEL (COASTAL APPLICATIONS MUST USE STAINLESS STEEL).
2. INSTALLATION TO BE COMPLETED PER MANUFACTURER'S SPECIFICATION.
3. REFER TO [TrexFencingFDS.com](http://TrexFencingFDS.com) FOR CONSTRUCTION DETAILS AND PRODUCT INFORMATION.
4. DRAWING NOT TO SCALE.

| COMPONENT                | LENGTH | COMPONENT                       | LENGTH |
|--------------------------|--------|---------------------------------|--------|
| Post Cap<br>             | N/A    | Vertical Back Rail<br>          | Varies |
| Post<br>                 | Varies | Vertical Front Rail<br>         | Varies |
| Horizontal Rail<br>      | 92"    | Horizontal Top Rail Bracket<br> | 1"     |
| Bottom Rail / Picket<br> | 91"    | Pan-Head Screws<br>             | 3/4"   |

Component lengths may vary



CUT VIEWS

010923