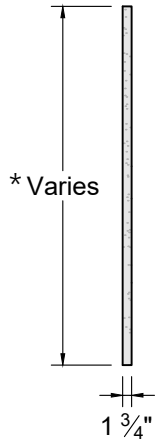
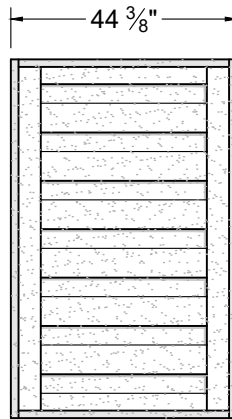


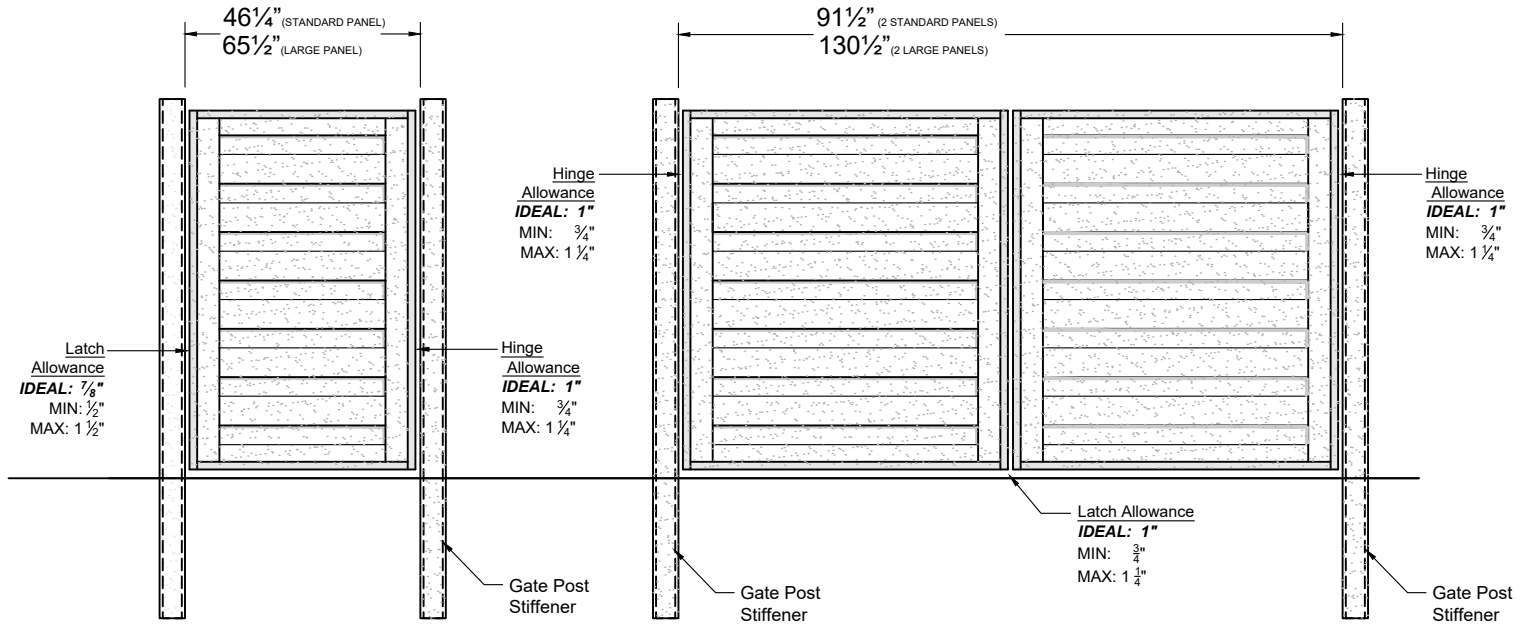
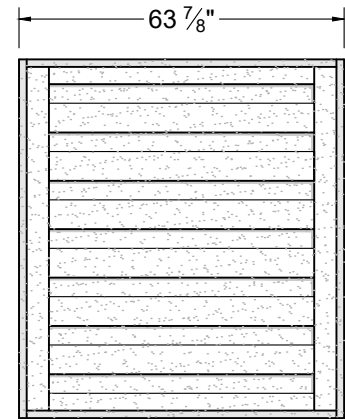
SIDE VIEW



STANDARD PANEL



LARGE PANEL



Fence Height	Gate Height
3'	34 1/2"
4'	44"
5'	63"
6'	72 1/2"
7'	82 1/2"
8'	91 1/4"

NOTES:

- GATES ARE BUILT WITH A WELDED INTERNAL 1 1/4" SQUARE (16 GA.) GALVANIZED STEEL FRAME.
- ALL HORIZONS COMPONENTS ARE MATTE BLACK POWDER COATED GALVANIZED STEEL (COASTAL APPLICATIONS MUST USE STAINLESS STEEL).
- INSTALLATION TO BE COMPLETED PER MANUFACTURER'S SPECIFICATION.
- REFER TO TrexFencingFDS.com FOR CONSTRUCTION DETAILS AND PRODUCT INFORMATION.
- DRAWING NOT TO SCALE.

010923